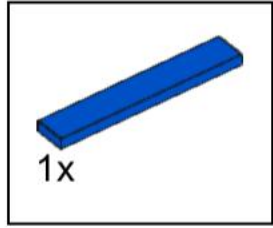




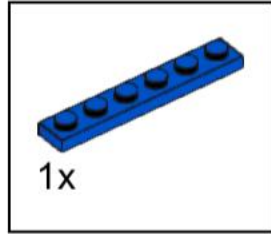
2021006
**Tram
Stop
Sign**



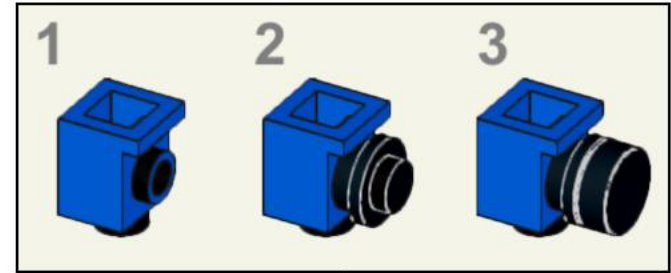
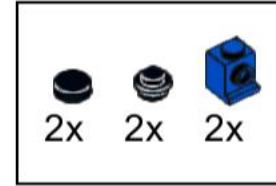
1



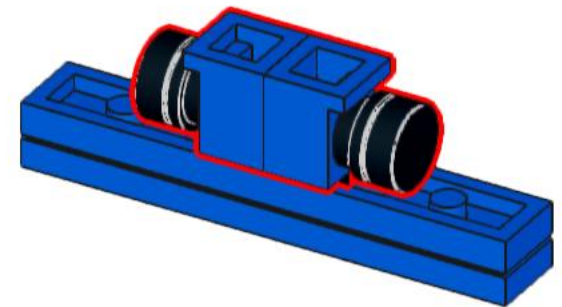
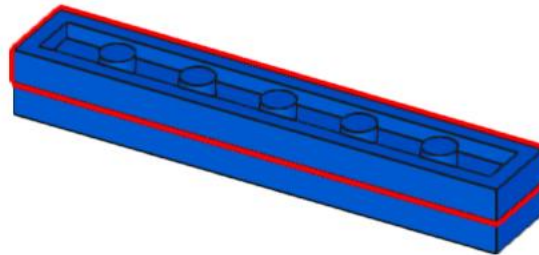
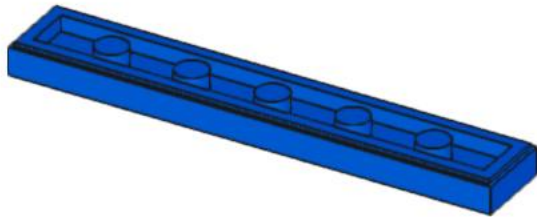
2



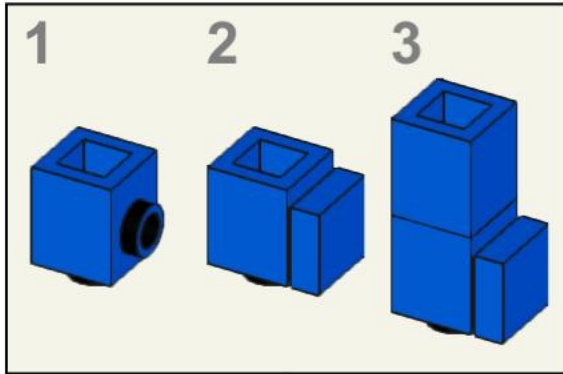
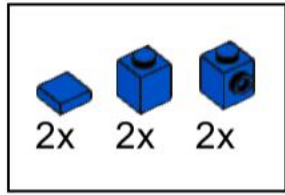
3



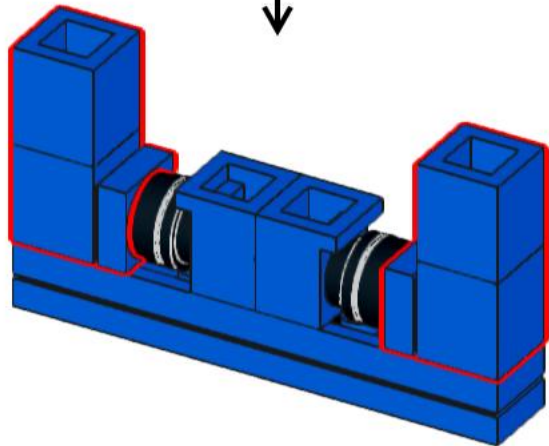
2x



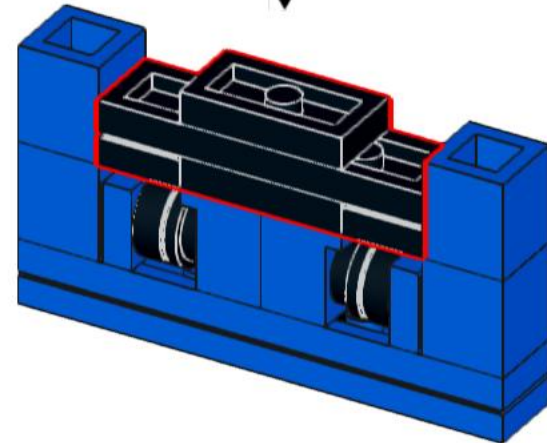
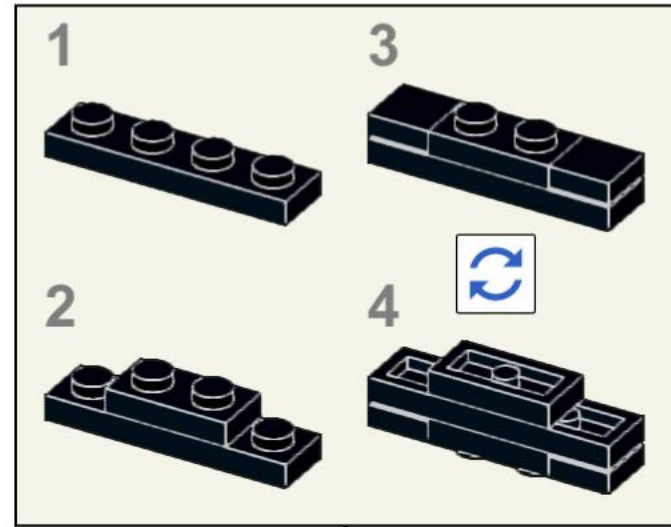
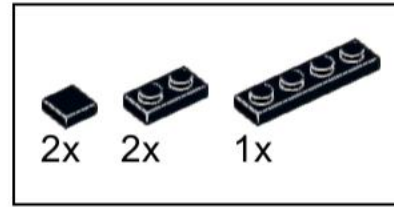
4



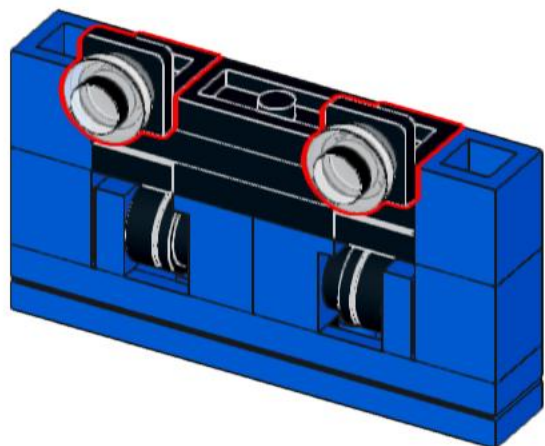
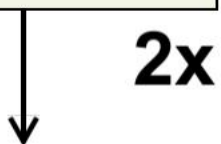
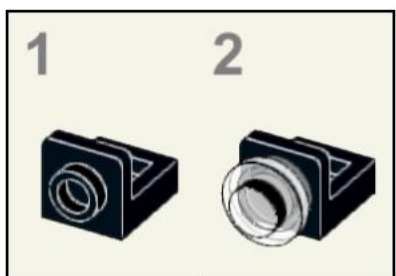
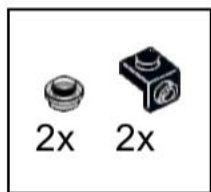
2x



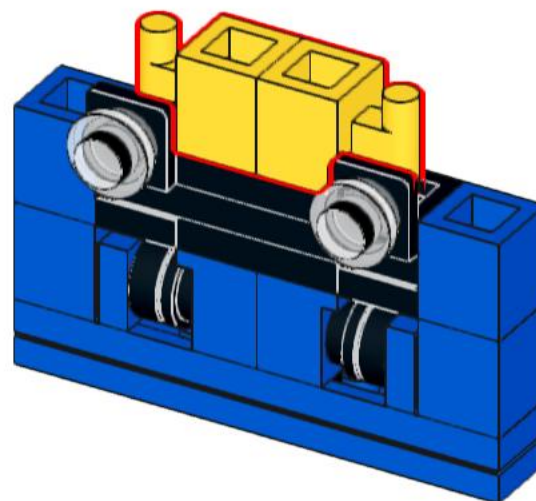
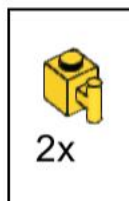
5



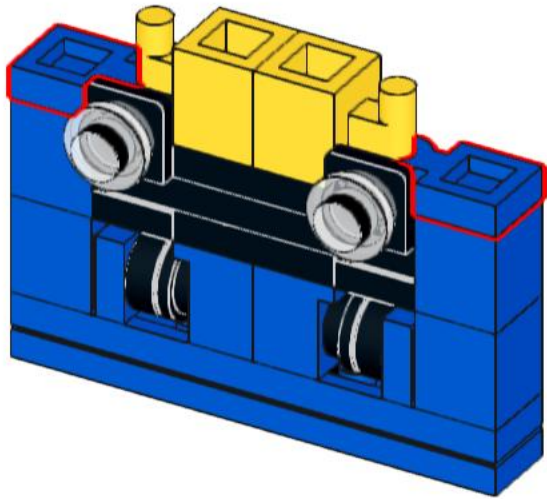
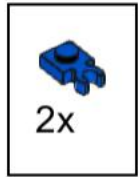
6



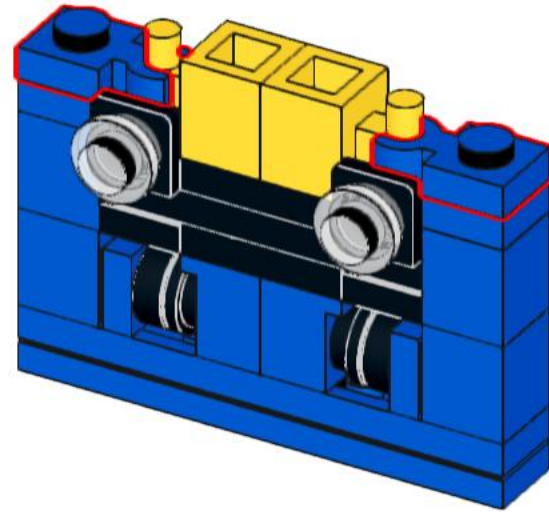
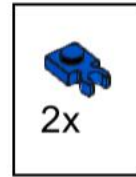
7



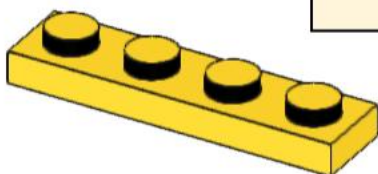
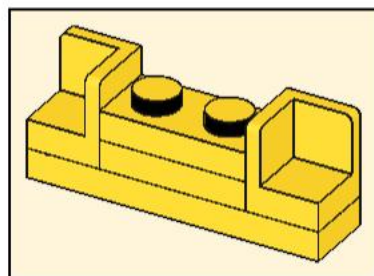
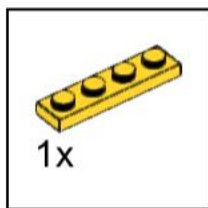
8



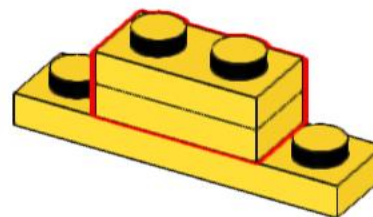
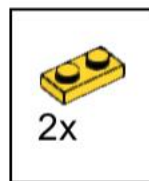
9



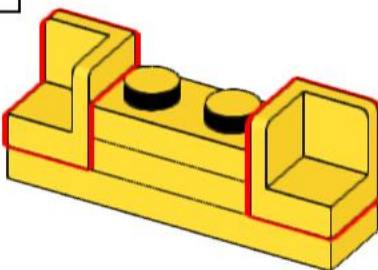
10



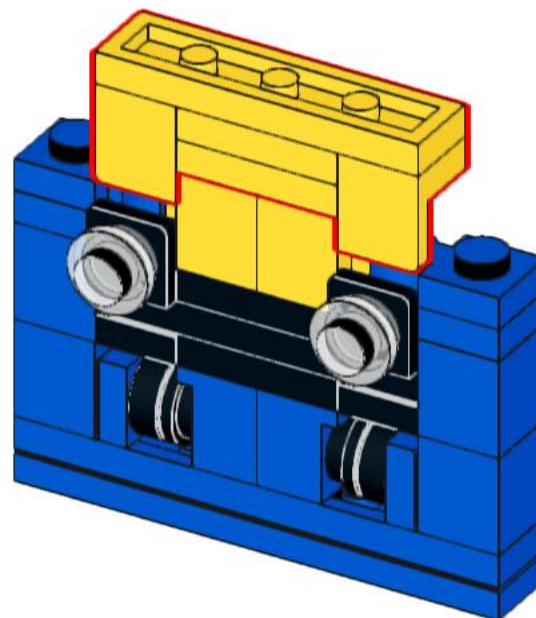
11



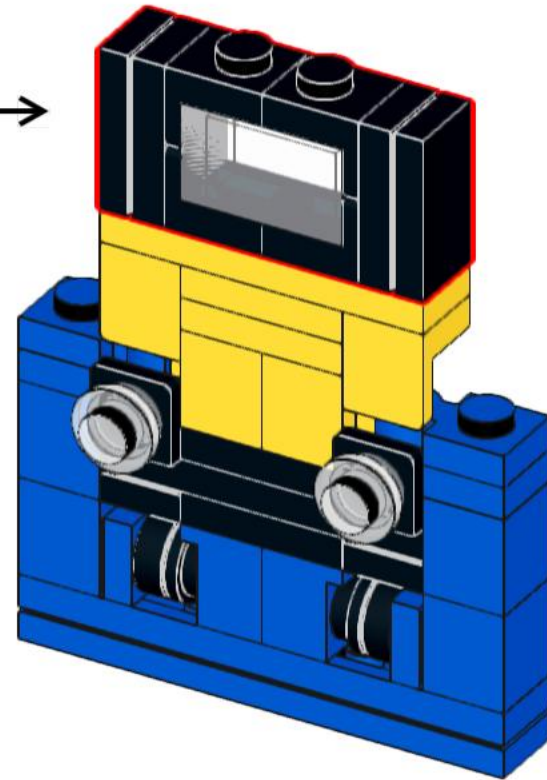
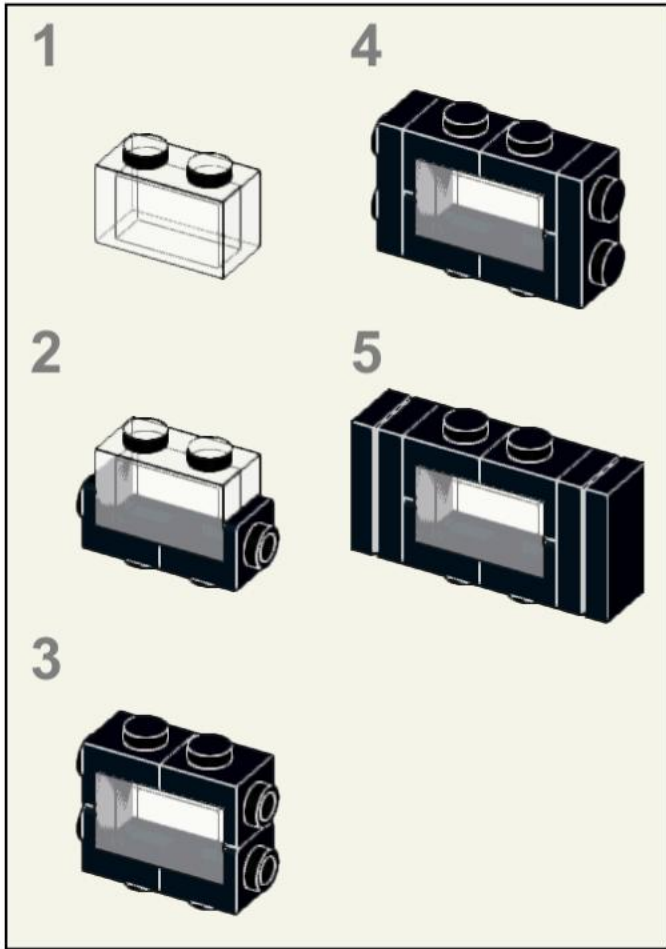
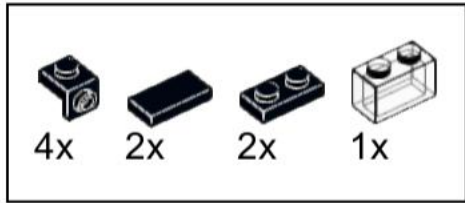
12



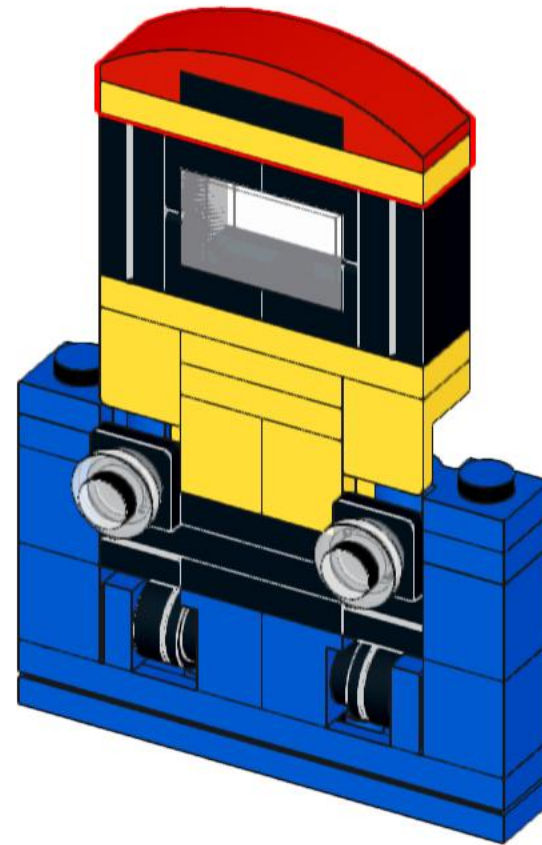
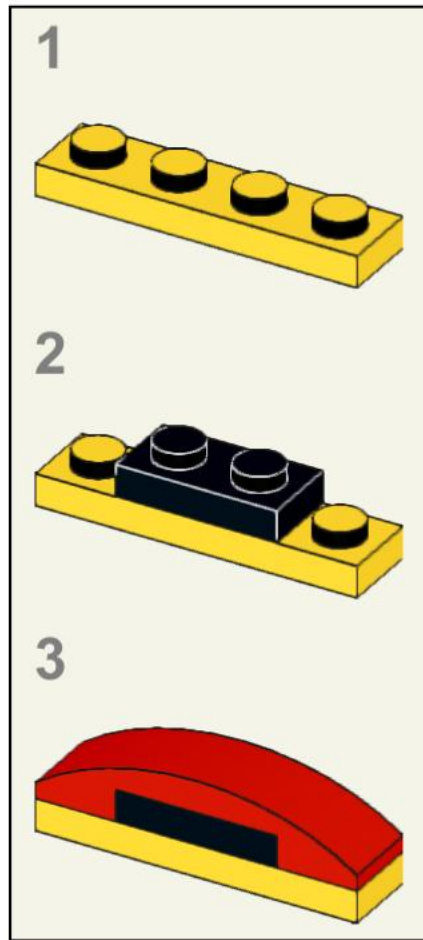
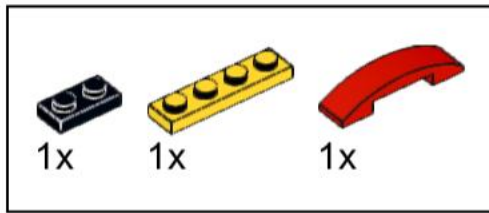
13



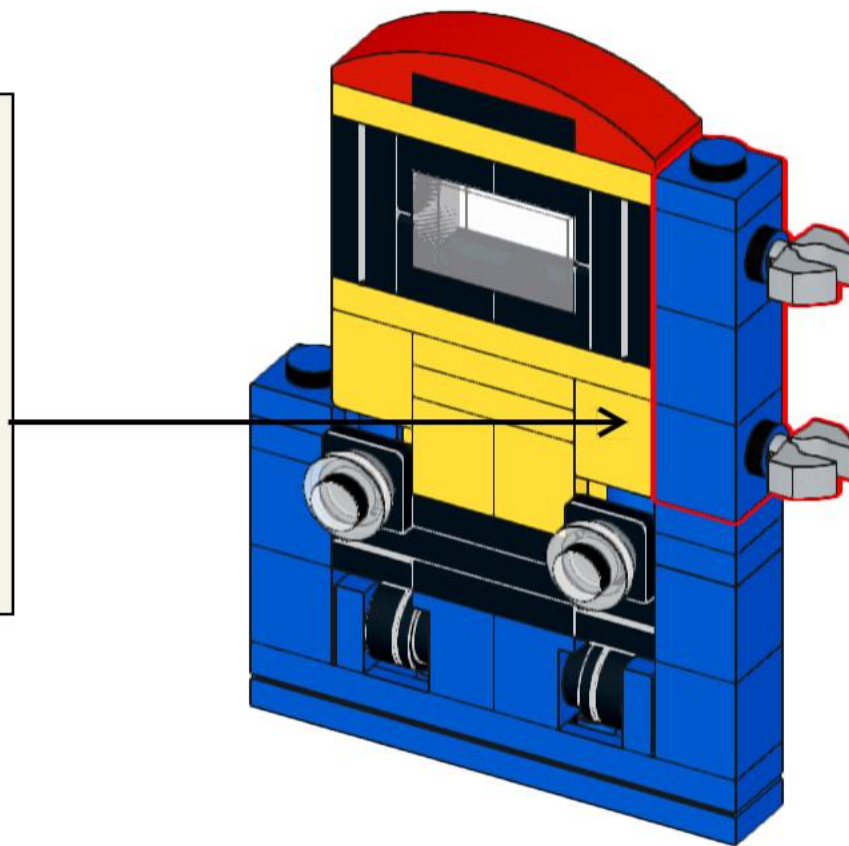
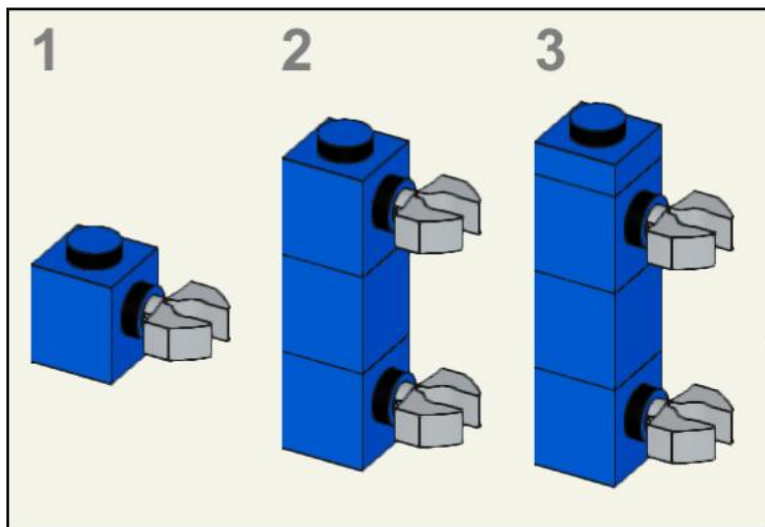
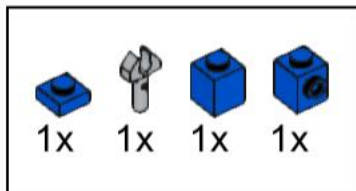
14



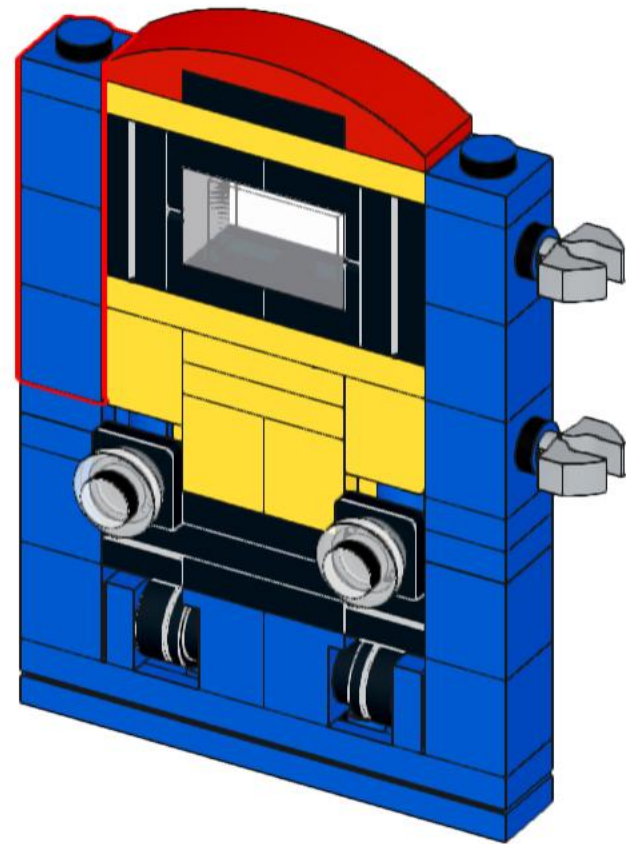
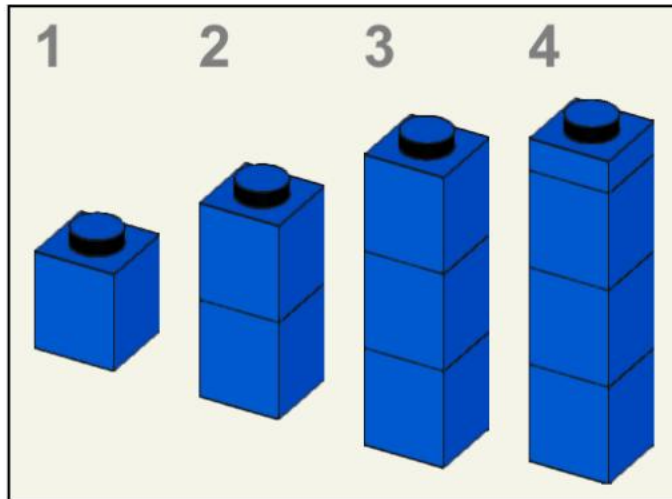
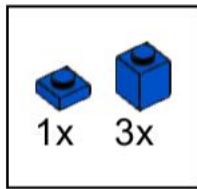
15



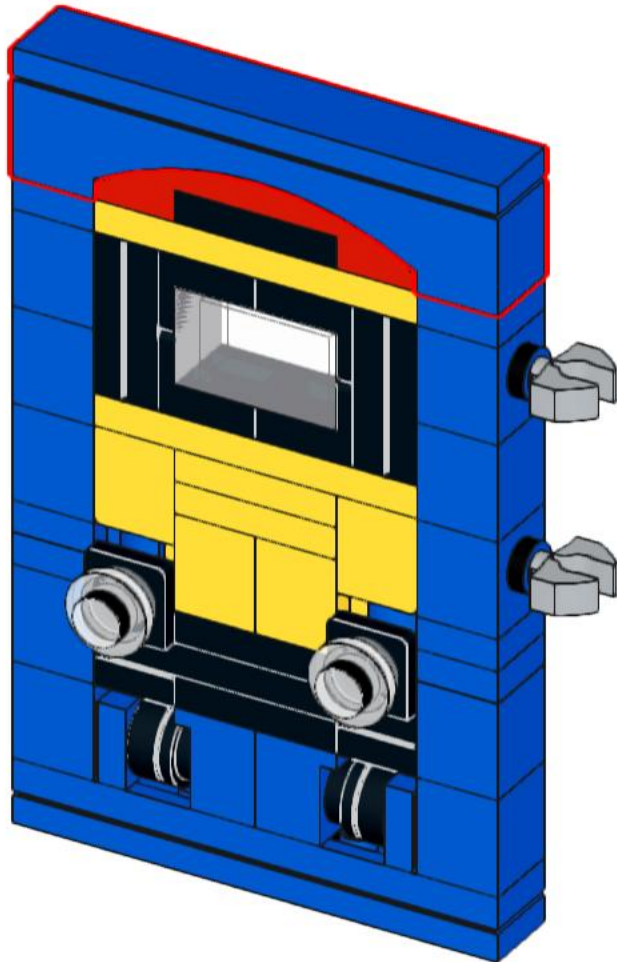
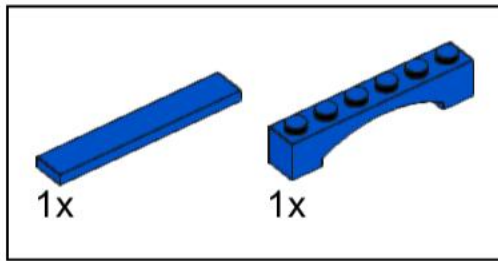
16



17



18



- 2x
- 2x
- 2x
- 6x
- 2x
- 5x
- 1x
- 2x
- 2x
- 1x
- 2x
- 2x
- 2x
- 2x
- 2x
- 2x
- 2x
- 6x
- 2x
- 2x
- 2x
- 2x
- 1x
- 2x
- 4x
- 4x
- 1x
- 2x
- 1x
- 2x
- 1x



Save a Brick

giving used bricks a new chance

Share your experience

Did you enjoy building this MOC?
Let us know!

Share your build with us?
Send us a photo of the MOC in action.

✉ assemblytimes@save-a-brick.com

Stay in touch

www.save-a-brick.com

[instagram.com/sleepswithlego](https://www.instagram.com/sleepswithlego)

[facebook.com/SaveAnotherBrick](https://www.facebook.com/SaveAnotherBrick)

[pinterest.com/saveabrick](https://www.pinterest.com/saveabrick)